



General Information



The Danfoss Contactor Panel is primarily designed for snow and ice melting applications. NEC and local codes requirements. The panel can be activated by a Danfoss GX850 ACP, DS-2C, DS-5C, DS-8C or another type of controller.

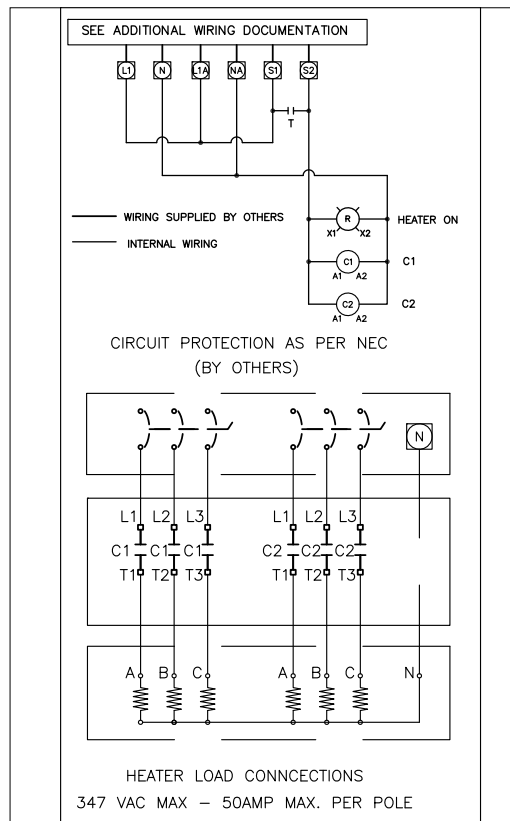
- Low cost
- Simple installation
- NEMA 1, UL listed enclosure
- A LED heat on indicator
- Pre-wired terminal connections
- 120V on/off remote heat indication
- Four hour timer

Technical Data

Power Voltage Range:	208V - 600V
Max. Heating Load:	300A/600A
Control Voltage:	120V
Enclosure Type:	NEMA 1
Mounting:	Wall mounted, indoors
Dimensions: (HxWxD):	300A (10" x 10" x 4"/254mm x 254mm x 102mm), 600A (14" x 12" x 6.5"/355mm x 305mm x 165mm)
Timer Override:	4 Hours

Typical Application

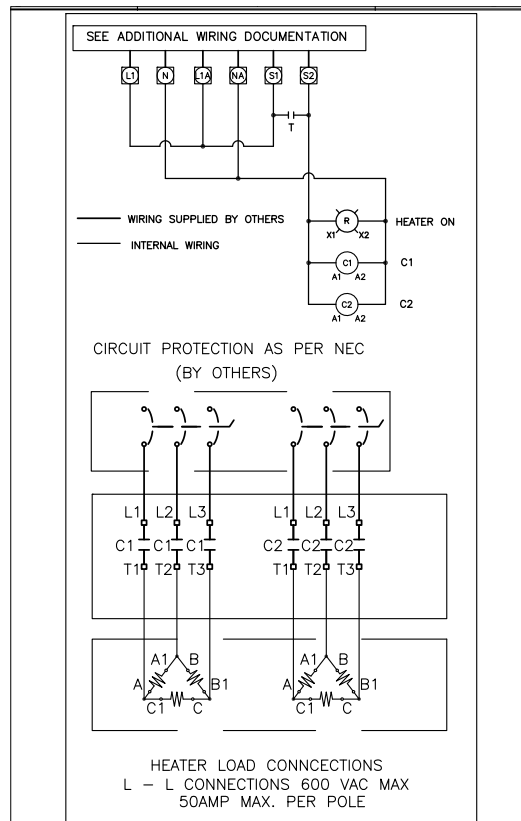
Simplified single phase connected heating cables





Typical Application

Simplified three phase connected heating cables



Ordering Information

Part No.	Description	No. of Contactors
088L3440	GX Timer Panel with 4hr timer, 300A, 600V, 6 Pole	2
088L3442	GX Timer Panel with 4hr timer, 600A, 600V, 12 Pole	4

Warranty

Danfoss offers a two year limited warranty covering defects in workmanship and materials.

Technical Services

For technical questions, please contact Danfoss Heating Division North America at **1-888-DANFOSS**. More information on Danfoss Electric Heating products is available at **www.LX.Danfoss.com**.

Danfoss can accept no responsibility for possible errors in catalogs, brochures, other printed materials, and website information. Danfoss reserves the right to alter its products without notice. This also applies to products already on order provided that such alteration can be made without subsequent changes being necessary in specifications already agreed upon. All trademarks in this material are property of the respective companies. Danfoss and Danfoss logotype are trademarks of Danfoss A/S. All rights reserved.



Danfoss

Toll Free: 1-888-DANFOSS (326-3677)
Fax: 416-352-5981
www.LX.Danfoss.com

Danfoss GX
BRINGING WARMTH TO LIFE