

# DS-5C Built-in Sensor/Controller for Snow Melting Applications



## General Information



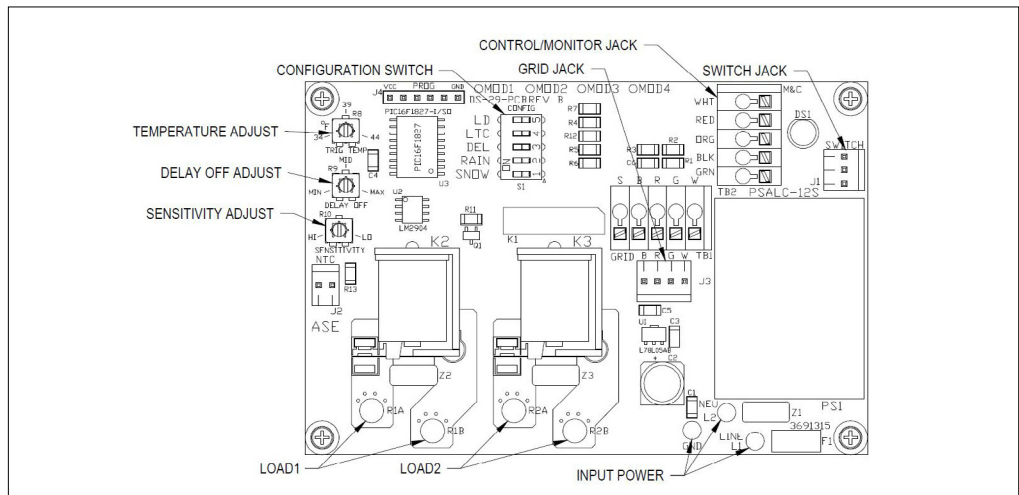
The DS-5C is designed for economical and effective control of heating cables in residential and commercial snow and ice melting applications. Built for bigger heating loads, the DS-5C regulates cable operation in driveways, sidewalks, and ramps as a stand alone controller or as a sensor for larger heating systems.

- Super bright front panel power/activation LED indicator
- Housed in a weatherproof enclosure
- Senses both moisture and temperature
- Adjustable temperature trigger point
- Adjustable delay off drying time
- Manual override capable
- Selectable low temperature cutoff
- Remote control and monitor capabilities
- Easy to install
- Two year warranty

## Technical Data

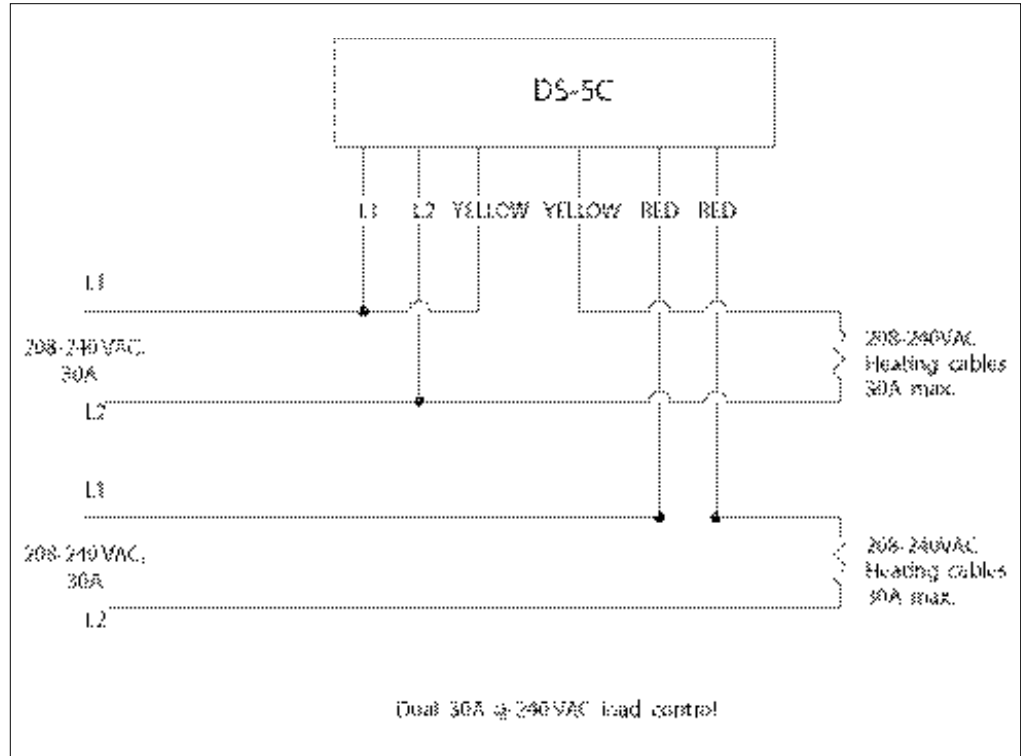
Supply:	100-277V, Field Selectable
Max. Heating Load:	60A (2 x 30A)
Operating Temperature:	-40°F to 185°F (-40°C to 85°C)
Enclosure Type:	NEMA 3R
Mounting:	Pole or Wall Mounted, outdoors
Dimensions (HxWxD):	4.75" x 7.0" x 2.75" (121mm x 178mm x 70mm)
Trigger Temperature:	34°F to 44°F (1.1°C to 6.6°C), Field Selectable
Delay Timer:	30-90 minutes, Field Selectable

## Internal Diagram





## Typical Application



## Ordering Information

Part No.	Description
088L3046	DS-5C Snow Melt Controller (60A)

## Applications

Products in this data sheet are for use with these Danfoss mats and cables:

Danfoss Electric Heating Products
GX Electric Snow Melting Cables and Mats

## Accessories

Part No.	Description
088L3038	CDP-2 Remote Control & Display for Snow Sensors*
088L3039	CS-1 Remote Control/Monitor Pigtail for CDP-2

\*CDP-2 installation requires use of CS-1 pigtails

## Warranty

Danfoss offers a two year limited warranty covering defects in workmanship and materials.

## Technical Services

For technical questions, please contact Danfoss Heating Division North America at **1-866-676-8062**. More information on Danfoss Electric Heating products is available at **www.LX.Danfoss.com**.

Danfoss can accept no responsibility for possible errors in catalogs, brochures, other printed materials, and website information. Danfoss reserves the right to alter its products without notice. This also applies to products already on order provided that such alteration can be made without subsequent changes being necessary in specifications already agreed upon. All trademarks in this material are property of the respective companies. Danfoss and Danfoss logotype are trademarks of Danfoss A/S. All rights reserved.



**Danfoss**  
 Toll Free: 1-866-676-8062  
 Tel.: 905-285-2050  
 Fax: 416-352-5981  
 www.Heating.Danfoss.us

**Danfoss GX**  
 BRINGING WARMTH TO LIFE