



General Information



mounted in a down spout, on the back of a gutter, under the drip edge, up to 10 feet away, while keeping the main controller in a more convenient and protected location.

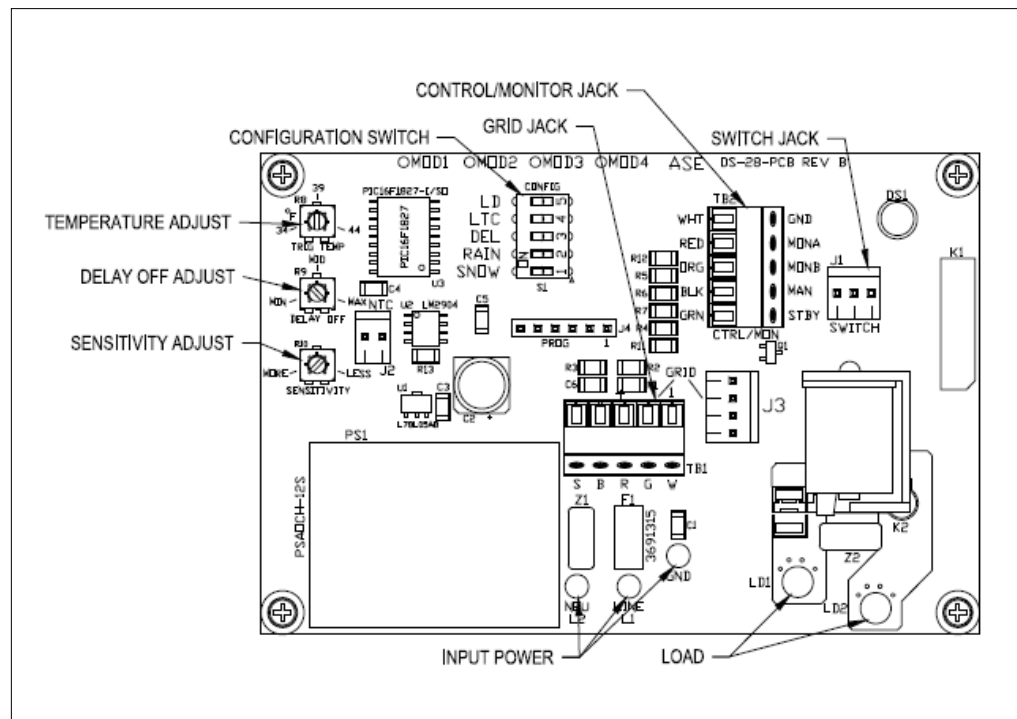
- Housed in a weatherproof enclosure
- Senses both moisture and temperatures
- Adjustable temperature trigger point
- Expanded 30-90 min. & 2-6 hr. delay off drying time
- Manual override capable
- Selectable low temperature cutoff with unique Recover module
- Super bright front panel power/activation LED indicator
- Remote control and monitor capabilities
- Easy to install
- Two year warranty

The DS-8C controller is designed for roof and gutter and snow melting applications. It senses both moisture and temperature conditions in the gutter or down spouts. The sealed low voltage, remote mount precipitation sensor can be

Technical Data

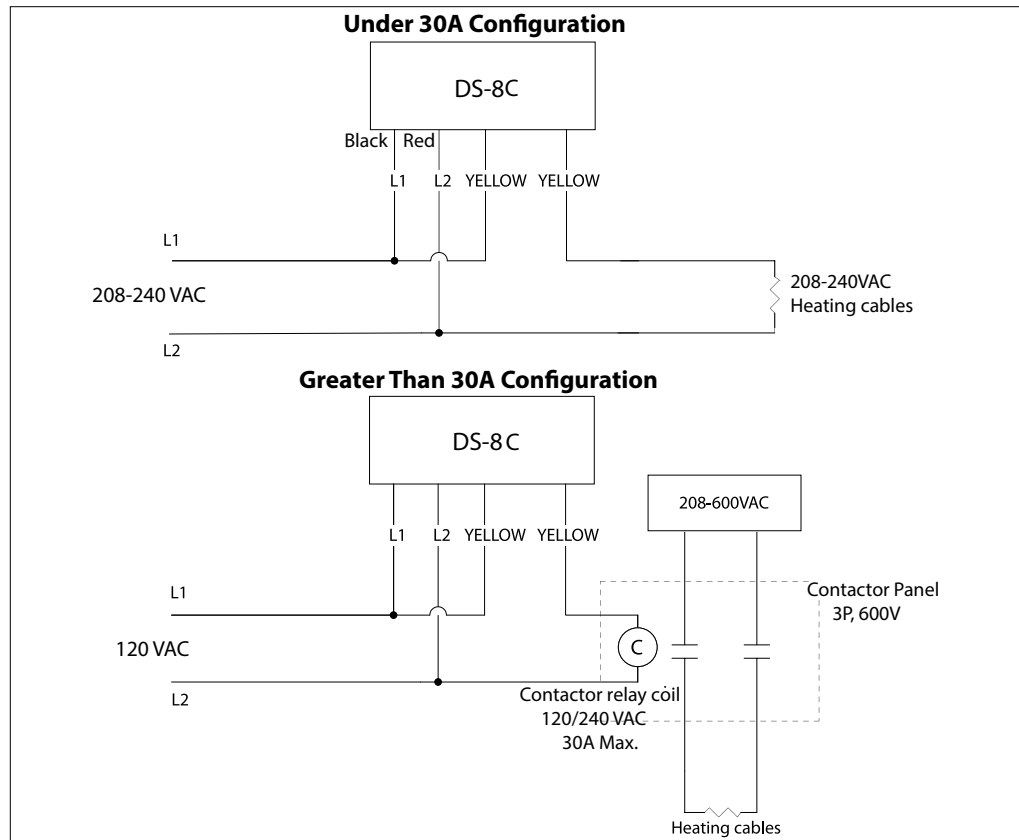
Supply:	100-277V Universal input
Max. Heating Load:	30A @ 277 VAC
Operating Temperature:	-40°F to 185°F (-40°C to 85°C)
Enclosure Type:	NEMA 3R
Mounting:	Pole or Wall Mounted, outdoors
Dimensions (HxWxD):	4.75" x 6.5" x 2.75" (121mm x 165mm x 70mm)
Trigger Temperature:	34°F to 44°F (1.1°C to 6.6°C), Field Selectable
Delay Timer:	30-90 minutes, Field Selectable

Internal Diagram





Typical Application



Ordering Information

Part No.	Description
088L3045	DS-8C Controller with Remote Snow and Ice Sensor (30A)

Applications

Products in this data sheet are for use with these Danfoss cables:

Danfoss Electric Heating Products
RX Roof & Gutter De-Icing Cables

Accessories

Part No.	Description
088L3038	CDP-2 Remote Control & Display Panel
088L3039	CS-1 Remote Control/Monitor Pigtail for CDP-2

Warranty

Danfoss offers a two year limited warranty covering defects in workmanship and materials.

Technical Services

For technical questions, please contact Danfoss Heating Division North America at **1-866-676-8062**. More information on Danfoss Electric Heating products is available at **www.LX.Danfoss.com**.

Danfoss can accept no responsibility for possible errors in catalogs, brochures, other printed materials, and website information. Danfoss reserves the right to alter its products without notice. This also applies to products already on order provided that such alteration can be made without subsequent changes being necessary in specifications already agreed upon. All trademarks in this material are property of the respective companies. Danfoss and Danfoss logotype are trademarks of Danfoss A/S. All rights reserved.



Danfoss
Toronto
 Toll Free: 1-866-676-8062
 Tel.: 905-285-2050
 Fax: 416-352-5981
 www.LX.Danfoss.com

Danfoss RX
 BRINGING WARMTH TO LIFE