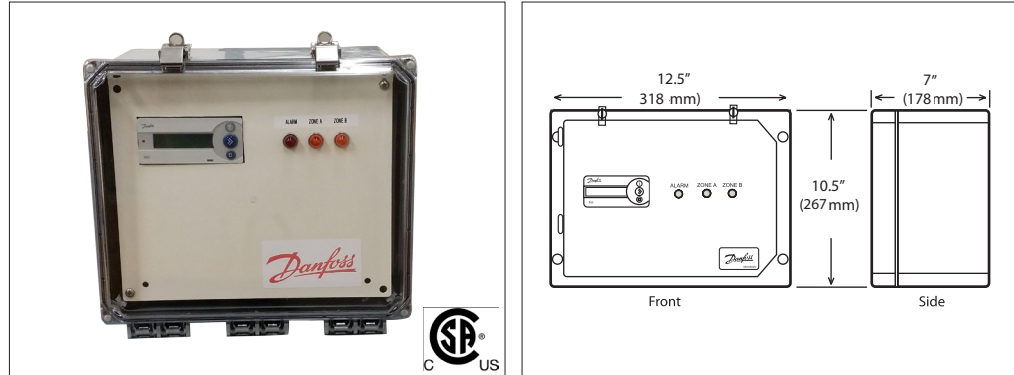


## Data Sheet

# GX 850 Automatic Control Panel (ACP) for Electric Snow & Ice Melting



## General Information



The GX 850 Dual Zone Automatic Control Panel (ACP) is the most optimal solution for keeping an area free of ice and snow. The GX 850 acts on information received from sensor(s) which register both temperature and moisture, then calculates the information ensuring that the heat will only be turned on when snow and/or ice is present. The result is optimal performance with maximum energy savings and minimum operating costs.

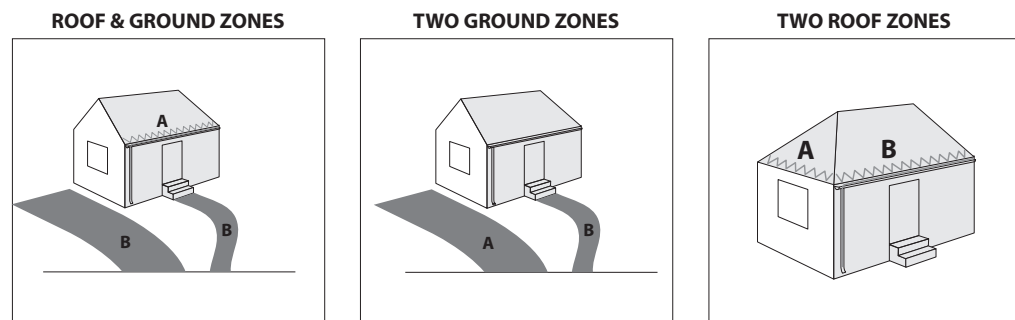
- User interface allows total control of snow melting system set points
- Set to maximum melting or maximum energy savings or anywhere in between
- Dual zone feature allows for energy savings and lower amperage requirements
- Digital sensors provide precise feedback on snow and ice conditions
- Fault finding program detects and alarms on faults
- Can be field upgraded to take advantage of new features
- Requires at least one ground or roof snow sensor
- Allows up to four (4) sensor inputs in total

## Technical Data

Power Control Voltage:	120V
Max. Heating Load	100A
Max. Ambient Temperature	14°F to 104°F (-10°C to +40°C)
Enclosure Type:	NEMA 4X
Mounting:	Wall mounted, indoors
Dimensions (HxWxD):	10.5" x 12.5" x 7" (267mm x 318mm x 178mm)

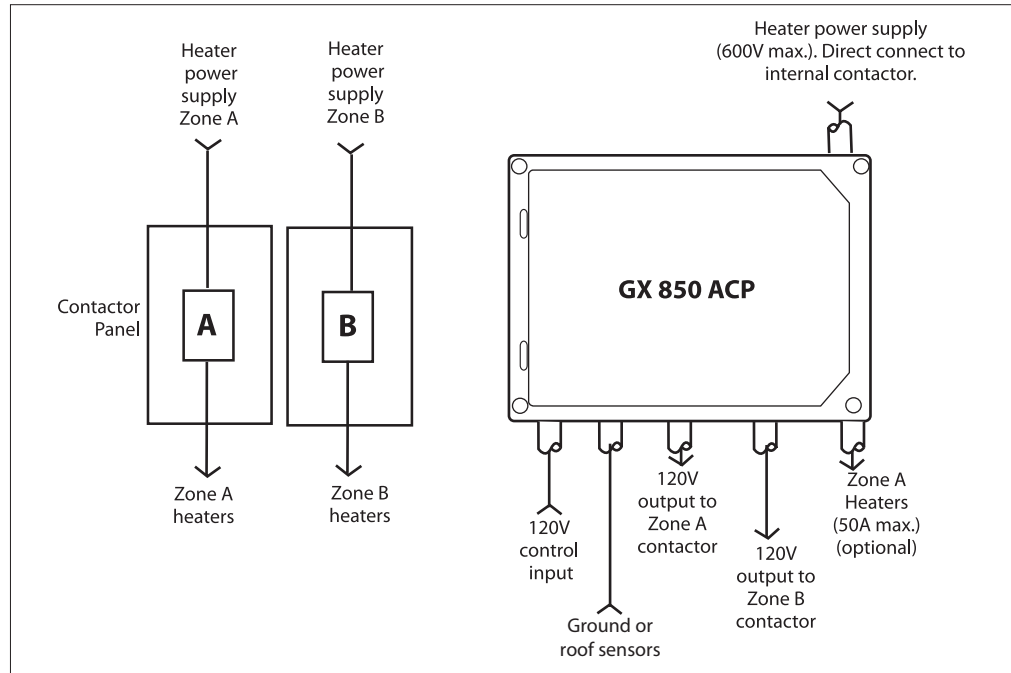
\*Systems larger than 50A will require the use of timer/contactors panels used in conjunction with the GX 850

## Dual Zone Examples





## Typical Application



## Ordering Information

Part No.	Description
088L3412	GX 850 ACP With Onboard 100A Contactor*

\*Requires ground and/or roof sensors

## Accessories

Part No.	Description
088L3051	Ground Sensors (two per package)
088L3052	Roof Sensor (includes 50 ft. lead wire)

See Danfoss catalog for contactor/timer panel ordering information

## Warranty

Danfoss offers a two year limited warranty covering defects in workmanship and materials.

## Technical Services

For technical questions, please contact Danfoss Heating Division North America at **1-866-676-8062**. More information on Danfoss Electric Heating products is available at [www.LX.Danfoss.com](http://www.LX.Danfoss.com).

Danfoss can accept no responsibility for possible errors in catalogs, brochures, other printed materials, and website information. Danfoss reserves the right to alter its products without notice. This also applies to products already on order provided that such alteration can be made without subsequent changes being necessary in specifications already agreed upon. All trademarks in this material are property of the respective companies. Danfoss and Danfoss logotype are trademarks of Danfoss A/S. All rights reserved.



**Danfoss**  
**Toronto**  
 Toll Free: 1-866-676-8062  
 Tel.: 905-285-2050  
 Fax: 905-285-2055  
[www.LX.Danfoss.com](http://www.LX.Danfoss.com)

**Danfoss GX**  
 BRINGING WARMTH TO LIFE